



GM6001



GM6002

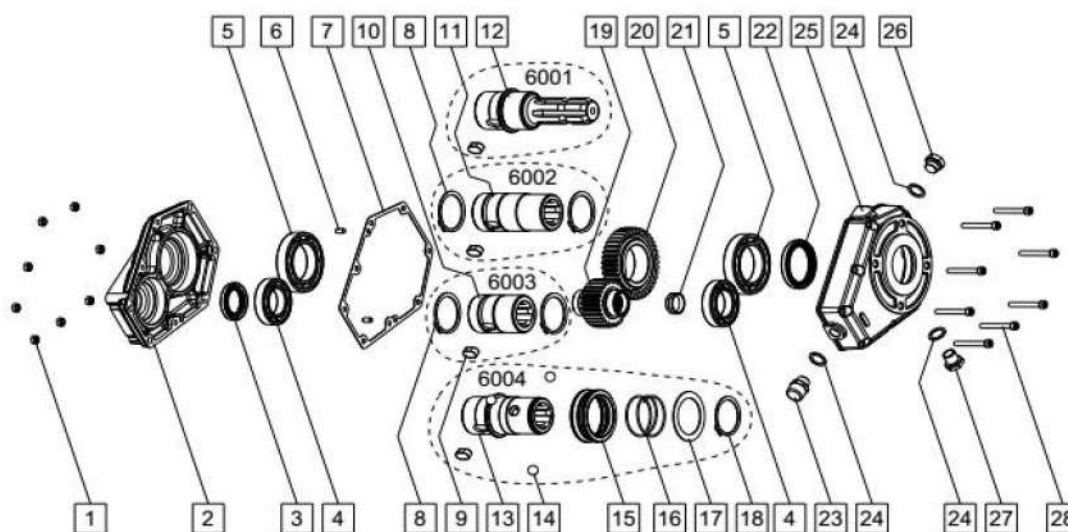


GM6003



GM6004

Spare parts:

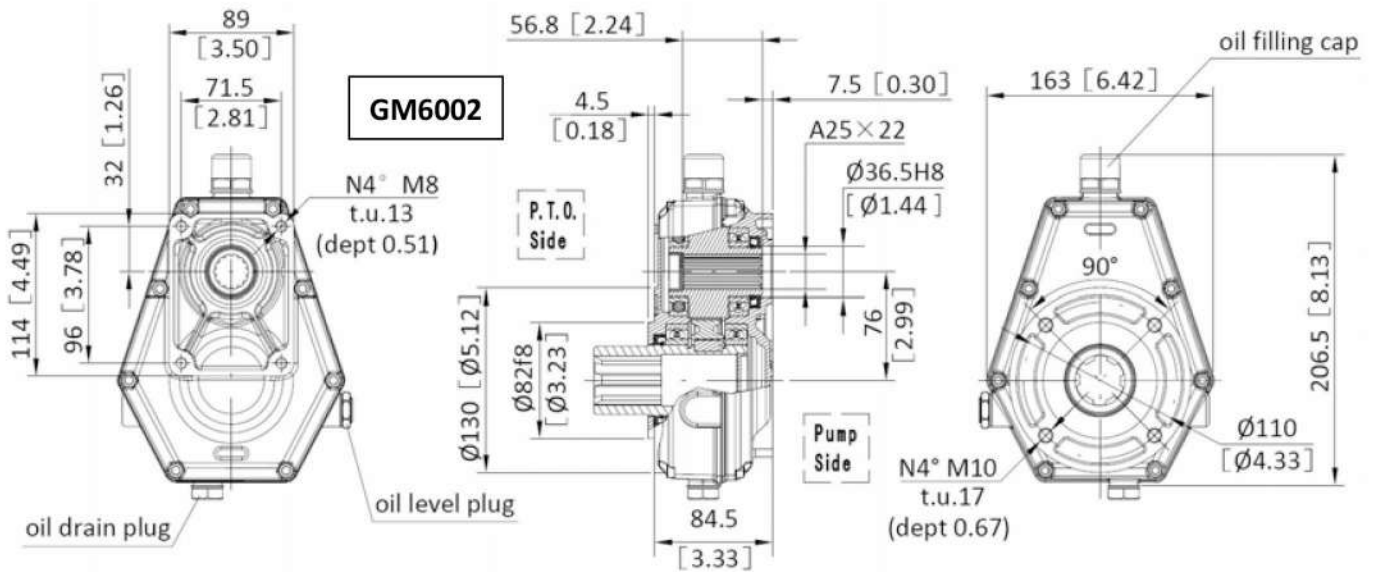


No.	Description	Quantity	No.	Description	Quantity
1	Nut M6	8	15	Spring ring	1
2	Cover	1	16	Spring	1
3	Sealing ring $\phi 35 \times 52 \times 7$	1	17	Ring	1
4	Bearing type 6007	2	18	Snap ring 48	1
5	Bearing type 6010	2	19	Pinion gear	1
6	Peg $6 \times 12$	2	20	Ring gear	1
7	Gasket	1	21	Cap DIN 470 $\phi 27$	1
8	Snap ring dia.50	2	22	Sealing ring $\phi 50 \times 65 \times 8$	1
9	Key $12 \times 8$	1	23	Oil filling cap 3/8"	1
10	Female 1 3/8" DIN 9611 short	1	24	Gasket	3
11	Female 1 3/8" DIN 9611	1	25	Housing	1
12	Male 1 3/8" DIN 9611	1	26	Oil drain plug 3/8"	1
13	Female 1 3/8" DIN 9611 + tightening	1	27	Oil level plug 3/8"	1
14	Ball	3	28	Socket capscrew M6 $\times$ 50	8

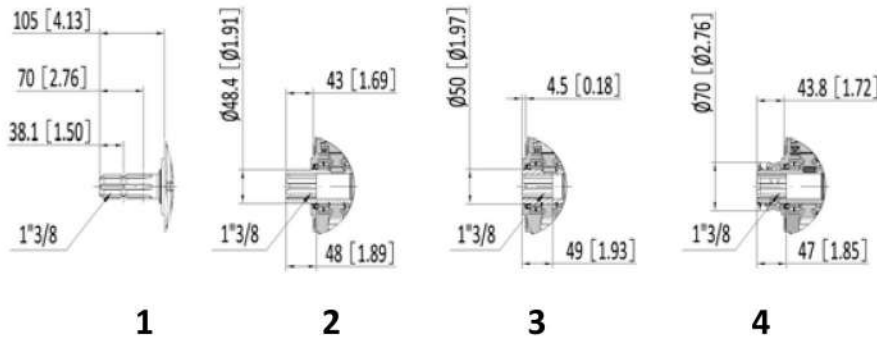
Technical sheet:

Input torque (Nm)	Output torque (Nm)	Input speed (r/min)	Transmission ratio	Output speed (r/min)	Power (Kw)	Weight (Kg)
178	119	540	1.5	810	10	5.8
152	76	540	2	1080	10	5.8
165	66	540	2.5	1350	10	5.8
180	55	540	3	1680	10	5.8
186	58	540	3.5	1836	10	5.8
159	42	540	3.8	2052	10	5.8

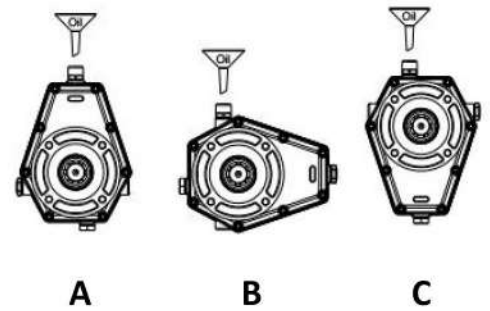
Three views:



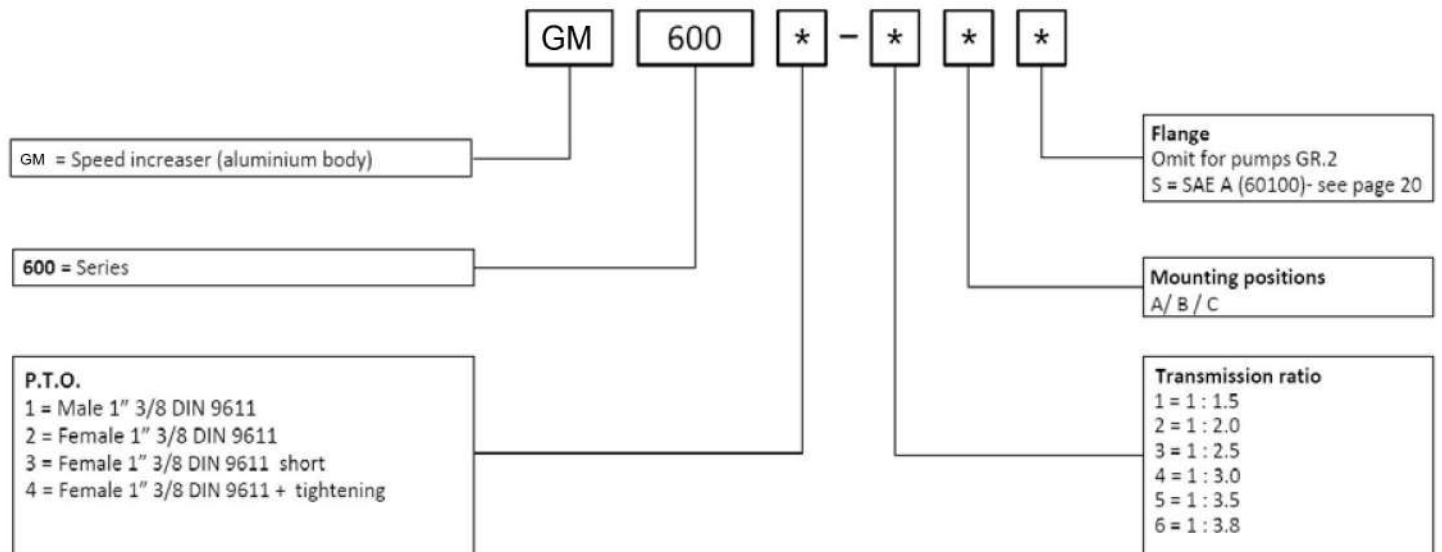
P.T.O.



Mounting positions



How to order:



For example: GM6001-1AS

TECHNICAL SHEET  
OVER GEAR - GEAR PUMP



GM7001



GM7002

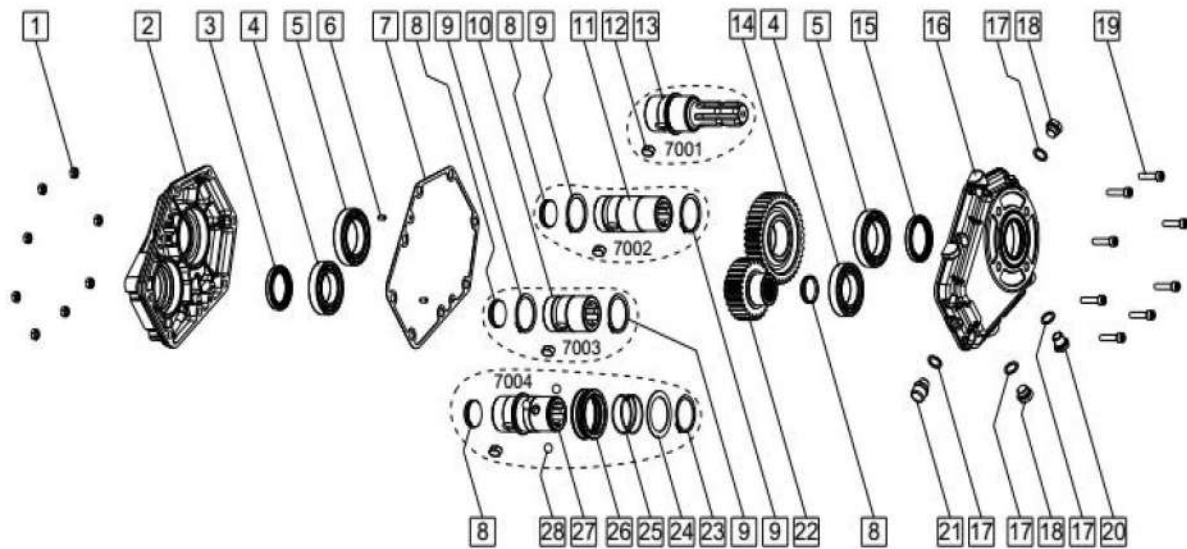


GM7003



GM7004

Spare parts:

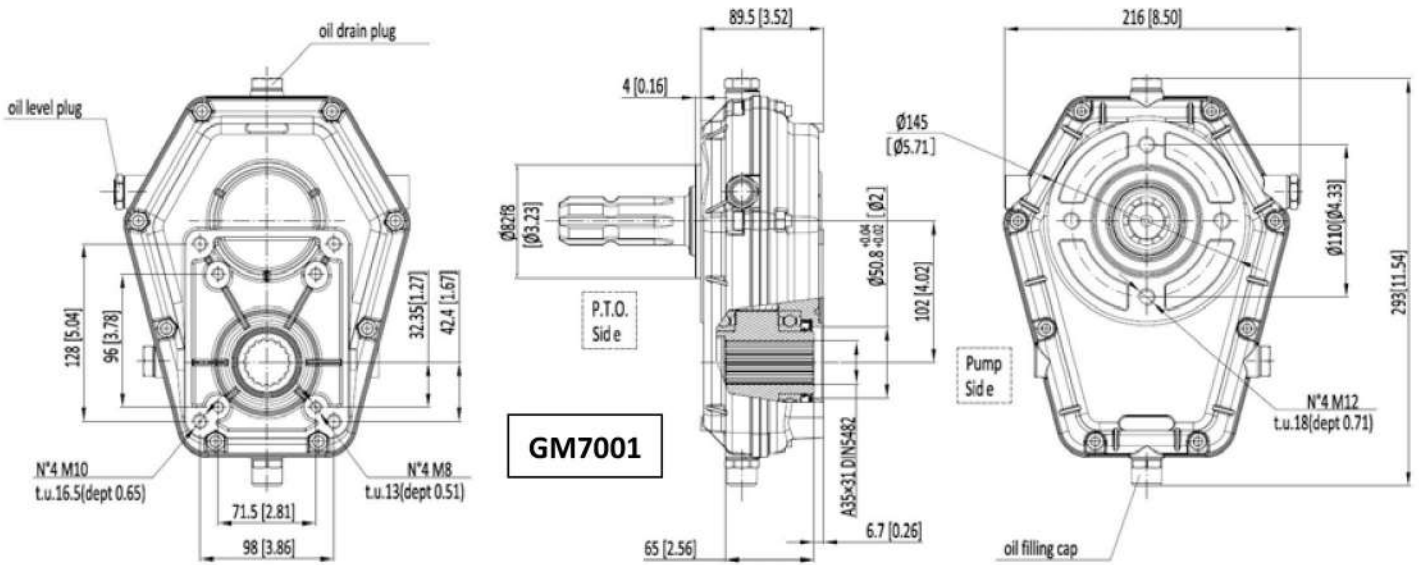


No.	Description	Quantity	No.	Description	Quantity
1	Nut M8	8	15	Sealing ring $\phi 50 \times 65 \times 8$	1
2	Cover	1	16	Housing	1
3	Sealing ring $\phi 45 \times 65 \times 8$	1	17	Gasket	4
4	Bearing type 6009	2	18	Oil drain plug 3/8"	2
5	Bearing type 6010	2	19	Socket cap screw M8 $\times$ 35	8
6	Peg 6 $\times$ 12	2	20	Oil level plug 3/8"	1
7	Gasket	1	21	Oil filling cap 3/8"	1
8	Cap DIN 470 $\phi 37$	1	22	Pinion gear	1
9	Snap ring dia.50	2	23	Snap ring UNI 7435-50	1
10	Female 1 3/8" DIN 9611 short	1	24	Ring	1
11	Female 1 3/8" DIN 9611 long	1	25	Spring	1
12	Key 12 $\times$ 25	1	26	Spring ring	1
13	Male 1 3/8" DIN 9611	1	27	Female 1 3/8" DIN 9611 + tightening	1
14	Ring gear	1	28	Ball	3

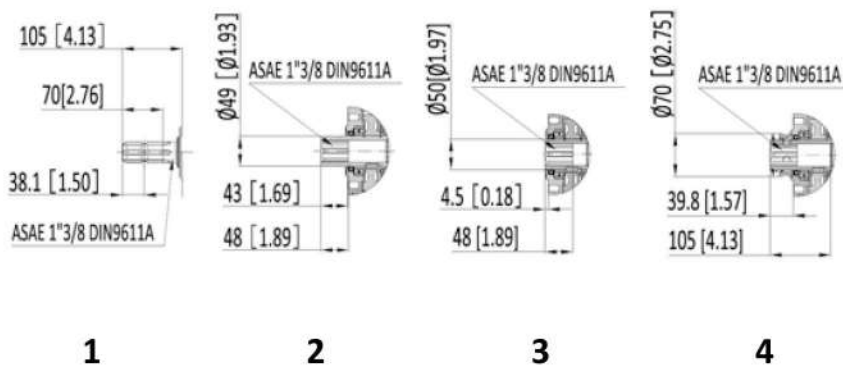
Technical sheet:

Input torque (Nm)	Output torque (Nm)	Input speed (r/min)	Transmission ratio	Output speed (r/min)	Power (Kw)	Weight (Kg)
380	260	540	1.5	810	20	8.3
430	210	540	2	1080	20	8.3
460	180	540	2.5	1350	20	8.3
490	160	540	3	1620	20	8.3
460	130	540	3.5	1836	20	8.3
437	115	540	3.8	2052	20	8.3

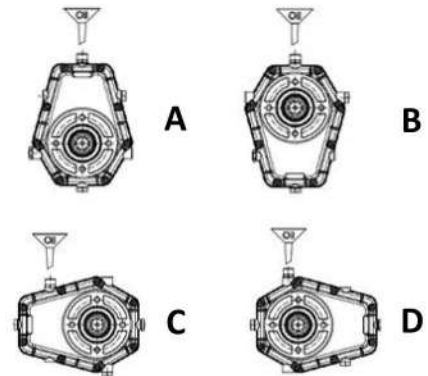
Three views:



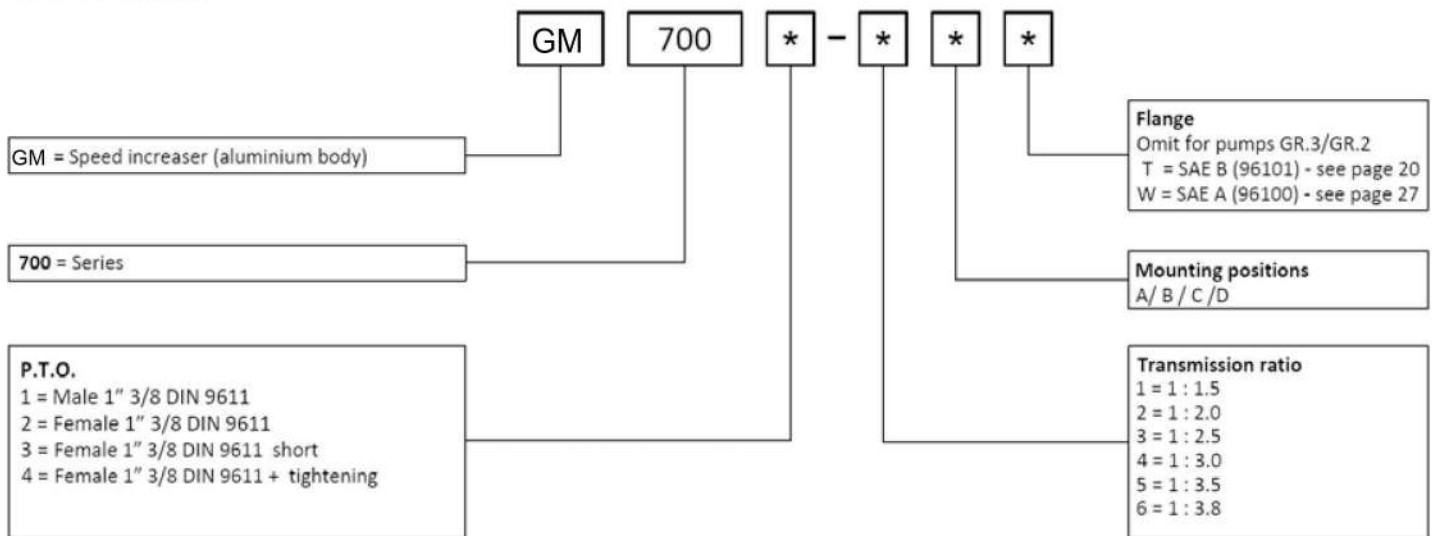
P.T.O.



Mounting positions



How to order:



For example: **GM7001-1AT**